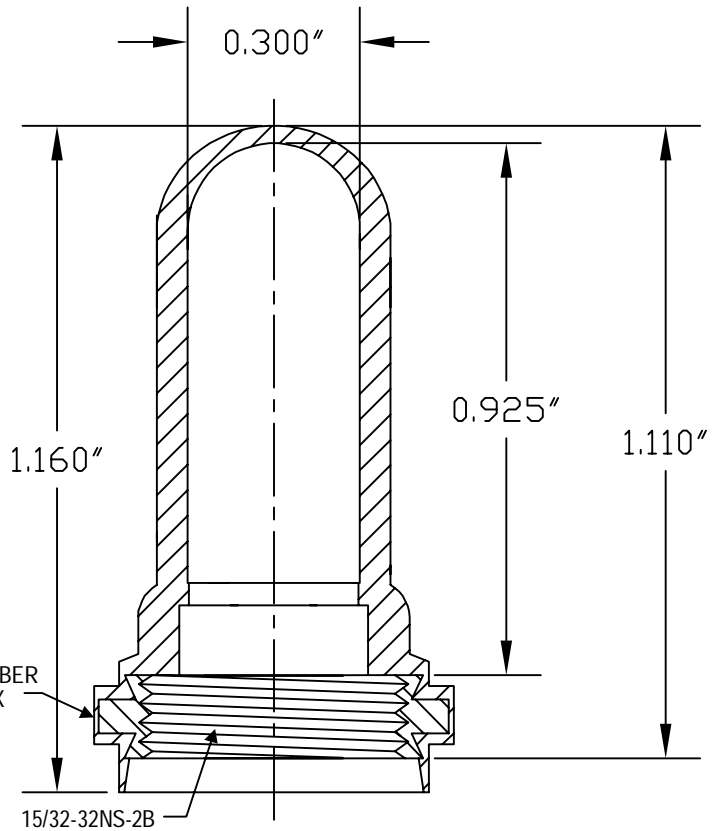
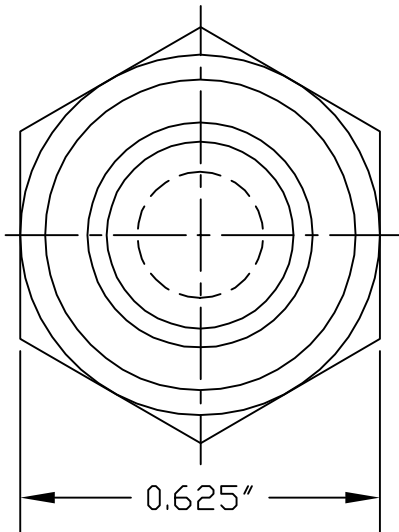


SPECIFICATIONS

Material: E-SEELS -- Silicone rubber polymer type ASTM D 1418
Mounting Nut: E-SEELS: Brass, black-oxide
Temperature Range: E-SEELS: -80°F to +400°F
Pressure Range: Exceeds 15 psi internal and 1500 psi external.
 (N5032B: 10 psi)
Operational Life: 50,000 actuations (minimum).
Shelf Life: Excess of 25 years.
Resistant to: Salt spray, sunlight, ozone, weather, fungus, and most acids and lubricating oils
Agency Recognition: E-SEELS and HEXSEALS are UL-listed to UL Std. 50 types 1-13, and meet CSA standards.
Installation: If a reducing adaptor is required - see page 14 of HEXSEAL catalog HEX200 for part numbers and drawing.



ITEM NUMBER	COLOR
50154 25	DARK GRAY
50154 25 17	BLACK
50154 25 B12-6	BLUE
50154 25	CLEAR
50154 25	GREEN
50154 25	ORANGE
50154 25	RED
50154 25	YELLOW
50154 50	LIGHT GREY

D	ADDED TO COLOR TABLE		05-15-08	
C	CAD COMPUTER GENERATED		7-01-04	
B	REDRAWN		9-12-74	
REV.		DESCRIPTION	DATE	
MAXIMUM AND MINIMUM MEASUREMENTS ARE STATED DIRECTLY ON EACH DIMENSION.	TITLE:	BOOT, TOGGLE SWITCH #(50154)	ENG. M.M.	12-7-57
			DWN. J.PALUMBO	12-7-57
MAT'L: SILICONE RUBBER PER ASTM D 1418	APM-HEXSEAL CORPORATION	CHKD.		
FINISH: GRAY		SCALE 3:1	DWG. NO. (50154) HEXSEAL®	

THIS DRAWING COVERS PROPRIETARY ITEM AND IS THE PROPERTY OF THE APM-HEXSEAL CORPORATION.
 THIS DRAWING IS NOT TO BE COPIED OR USED WITHOUT THE WRITTEN APPROVAL OF AN OFFICER OF THE APM-HEXSEAL CORPORATION.